

Milano



Notes:

- The vanity should be installed by an experienced plumber
- Drain pipe and trap supplied are 1 1/4 in. diameter



Content:

- 1 Pre-assembled frame
- 1 Drain Assembly (1)
- 1 Bottle trap (2)

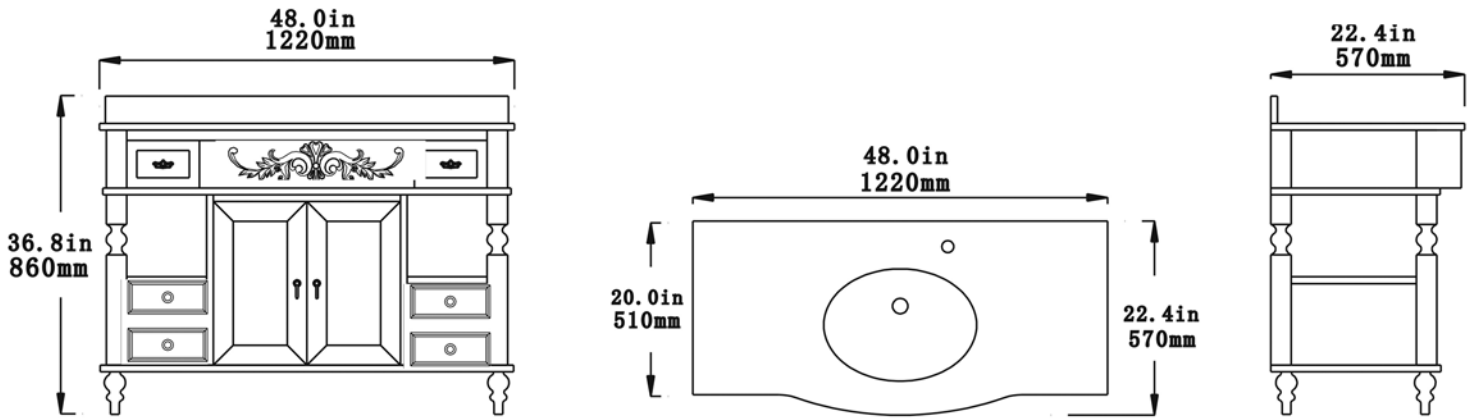


Recommended tools and materials

- Phillips screwdriver
- Channel lock
- Tape measure



Vanity Dimensions

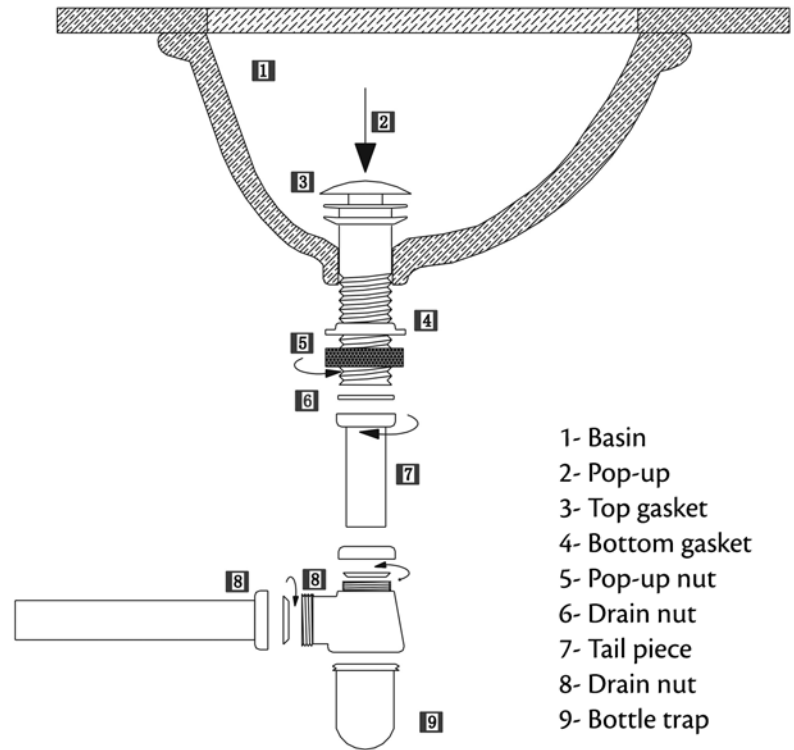


Drain Assembly

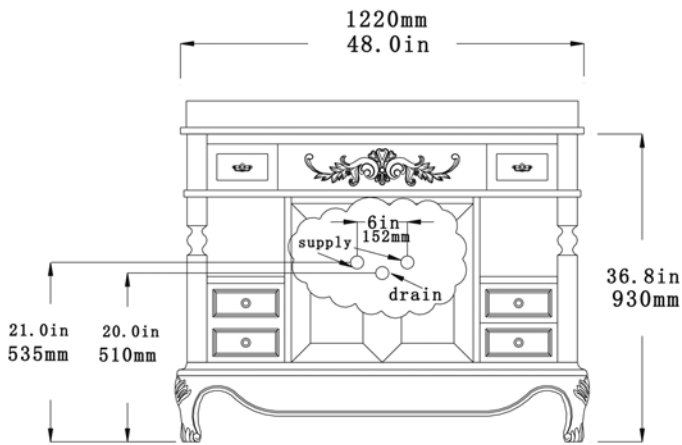
Connect trap to drain assembly as shown below, hand tighten to check for alignment. It may be necessary to cut off part of the vertical or the horizontal leg in order to make everything fit properly with existing plumbing.

- Place pop-up in the basin ensuring that the upper gasket is in place.
- Slide lower gasket in place on pop-up threaded pipe ensuring that lip faces upwards.
- Tighten ring until the basin fits tightly against glass counter top.
- Install P-Trap ensuring all the gaskets are in place and tighten the whole.

Note: 1- It is recommended that this work be done by an experienced plumber.
 2- Direct connection to the drain pipe in the wall may not be possible and may require special fittings to get proper alignment.
 If misaligned do not force installation



- 1- Basin
- 2- Pop-up
- 3- Top gasket
- 4- Bottom gasket
- 5- Pop-up nut
- 6- Drain nut
- 7- Tail piece
- 8- Drain nut
- 9- Bottle trap





LIMITED 10 YEAR WARRANTY

This warranty applies Roberto Fiore Brand bathroom cabinets installed for residential use. Roberto Fiore bathroom cabinets warrants that, when installed in accordance with the installation instructions provided, the kitchen cabinets are free of manufacturing defects for a period of ten (10) years from the date of purchase.

We guarantee your satisfaction with each bathroom cabinet. Should any bathroom cabinet not meet your satisfaction because of a visual defect, simply return it to your retailer, PRIOR to installation for a replacement.

INFORMATION ABOUT YOUR WARRANTY COVERAGE

This warranty does not cover damages or failure attributable to:

- Bathroom cabinets installed with obvious visual defects.
- Defects or damage to bathroom cabinets caused by installation that does not comply strictly with the instructions provided with the bathroom cabinets.
- Defects caused by product modifications.
- Defects caused by exposure to the elements including humidity, which may cause warping or splitting.
- Defects or damage to bathroom cabinets caused by severe accidents (e.g. fire, floods, burns).
- Damage caused by flooding or standing water from leaking pipes, faucets, household appliances, etc: up to and including flooding and any damages caused by acts of God.

NOTES ON WARRANTY

- Roberto Fiore bathroom cabinets shall not be liable for either its failure to perform or its delays in performance hereunder arising out of or resulting from causes beyond its control, including but not limited to, acts of God, acts of Representatives, acts of Government, wars, fires, floods, epidemics, quarantine, strike, freight embargoes, weather or default by suppliers due to any such causes.
- This warranty applies only to the original purchaser and installation site and is not transferable.
- Wood characteristics naturally occurring such as variations in color, grain and knots are not considered defects.
- Color variations in cabinets are a natural occurrence due to wood species, age and exposure to UV light and sunlight and therefore such variations and changes are not considered defects.
- This warranty is valid only for residential installation.

FOR WARRANTY SERVICE

To make a claim, contact OVE DECORS, acting as an agent for Roberto Fiore, no later than 30 days following the date of discovery or detection of defect, at 1-866-839-2888 ext: 21. Proof of purchase, such as the bill of sale is mandatory when requesting warranty service.

- OVE DECORS reserves the right to designate a representative to inspect the kitchen cabinet for analysis.
- No unauthorized person, installer, dealer, agent or employee of OVE DECORS or any other representative is entitled to assume any liability on behalf of OVE DECORS relating to the sale of this product or has the authority to increase or alter the obligations or limitations of this warranty.

THE SOLE REMEDY PROVIDED BY THIS WARRANTY IS THE REPAIR OR REPLACEMENT OF ANY PART OR PARTS THAT MAY PROVE DEFECTIVE UNDER NORMAL RESIDENTIAL USAGE. THIS WARRANTY DOES NOT COVER THE COST OF REMOVAL, INSTALLATION, DELAY OR TRANSPORTATION OF NEW PRODUCT.